



A Donald **BASIL** Company

# Life Science Solutions

*The LYNX mission is to provide Animal Care Washing Systems of the highest standards, quality, and reliability in the industry. Our service and customer care will be unmatched*

## **Model 110LX Bottle Filler**

### **APPLICATION:**

The Feeder Bottle Filler is an inline, manifold type filler designed for filling basket loads of feeder bottles used in the care of laboratory animals.

### **CONSTRUCTION:**

- All Stainless Steel Construction
- Individual S/S Spray Jets
- Adjustable Leveling Feet
- Stainless Steel Back-Splash
- Quick Disconnect Filler Manifold

### **SIZE:**

30" wide x 96" long x 54" high\*

\* Dimensions may change with selected options

**Note:** Filler can be designed to any basket size or configuration to meet new or existing applications.

### **ACCESSORIES:**

- Additional Filler Head (Manifold)
- Bottle Basket Transfer Cart
- Bottle Baskets

### **OPTIONAL FEATURES:**

- Automatic Operations
- Stainless Steel Piping and Components
- Acid Proportioner
- pH Monitoring System
- pH Strip Chart Recorder
- Seismic Tie Downs



***Make a Difference...Make it LYNX!***

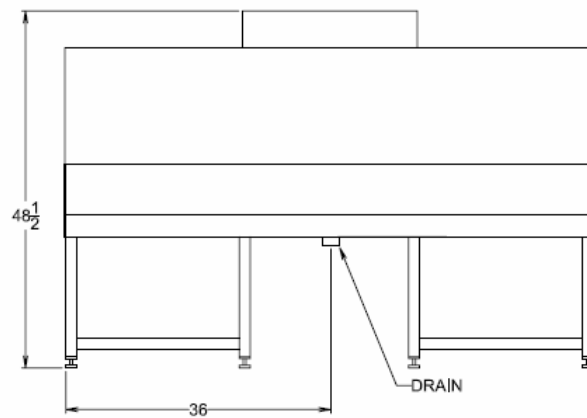
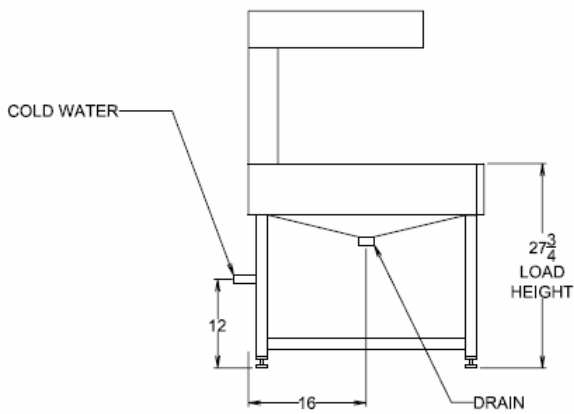
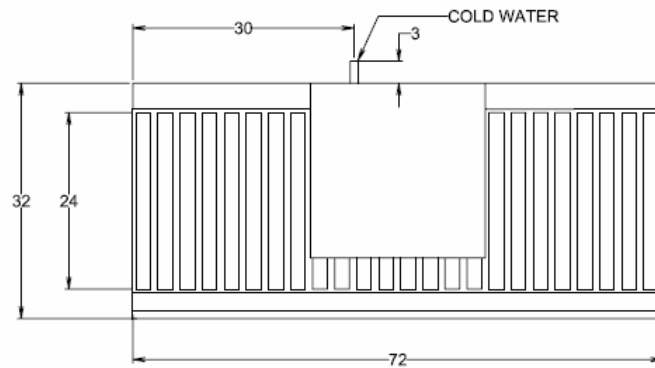
## Utilities: 110LX

---

CW	Cold Water	1" NPT	35 PSI $\pm$ 5 PSI
D	Drain	1 1/2" Connection	
E*	Electrical	120 VAC	

\*E – Required if Auto Fill package is ordered

---



### **NOTE:**

- The selection of certain options could reduce the above stated utilities. Please consult your LYNX representative to discuss your specific requirements.
- Drawing data is for general reference only. Each sized unit and selected options will effect the overall machine size. Obtain certified drawings for design and installation details.
- Specifications are subject to change without notice.