



A Donald **BASL** Company

The LYNX mission is to provide Animal Care Washing Systems of the highest standards, quality, and reliability in the industry. Our service and customer care will be unmatched

Model 170LX Wall Mounted Bottle Filler

APPLICATION:

The Feeder Bottle Filler is a wall mounted, manifold type filler designed for filling basket loads of feeder bottles used in the care of laboratory animals.

CONSTRUCTION:

- All Stainless Steel Construction
- Individual S/S Spray Jets
- Wall Mounted
- Filler Head Outfitted with Gas-Filled Springs
- Quick-Operating Ball Valve

ACCESSORIES:

- Additional Filler Header (Manifold)
- Bottle Basket Transfer Cart
- Bottle Baskets

OPTIONAL FEATURES:

- Automatic Operations
- Selectable Bottle Types
- Stainless Steel Piping and Components
- Acid Proportioner
- pH Monitoring System
- pH Strip Chart Recorder



SIZE:

With no cart docked/header up:
48" wide x 9¾" deep x 54" high

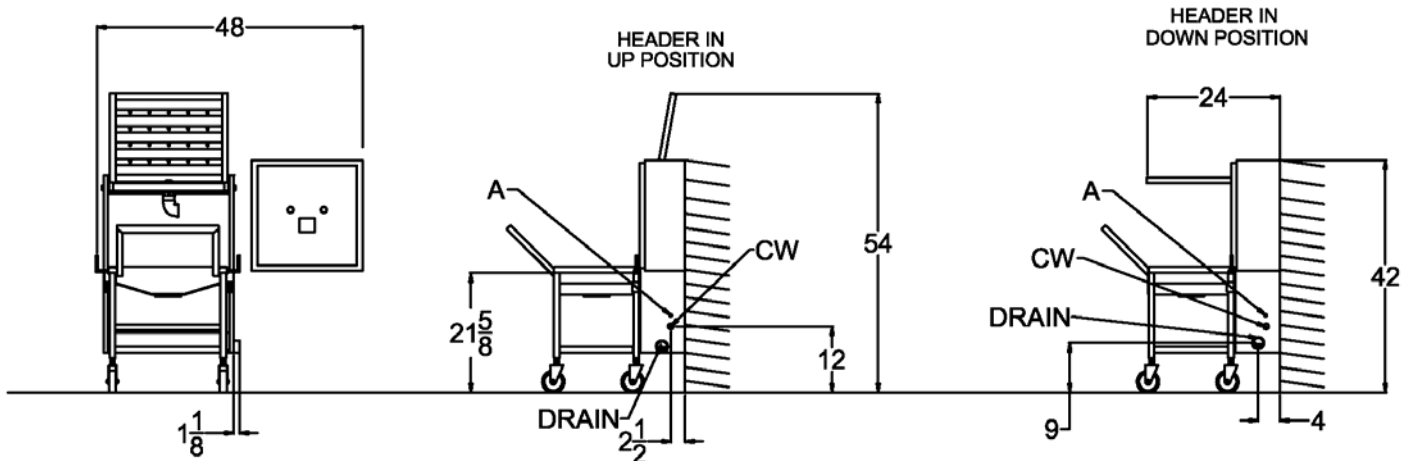
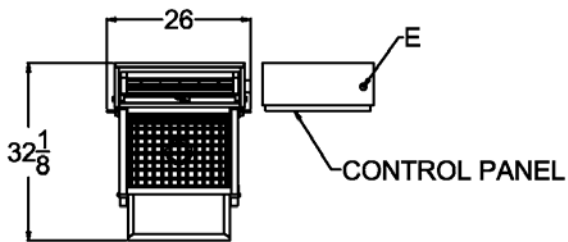
With cart in docked position/header down:
48" wide x 32¼" deep x 42" high

Note: Filler can be designed to any basket size or configuration to meet new or existing applications.

Make a Difference...Make it LYNX!

Utilities: 170LX

CW	Cold Water	1" NPT @ 35 PSI	15 GPM
D	Drain	1 ½" NPT Connection	
E	Electrical	110 V – 15A	
A	Air	100 PSI	3CFM



NOTE:

- The selection of certain options could reduce the above stated utilities. Please consult your LYNX representative to discuss your specific requirements.
- Drawing data is for general reference only. Each sized unit and selected options will effect the overall machine size. Obtain certified drawings for design and installation details.
- Specifications are subject to change without notice.